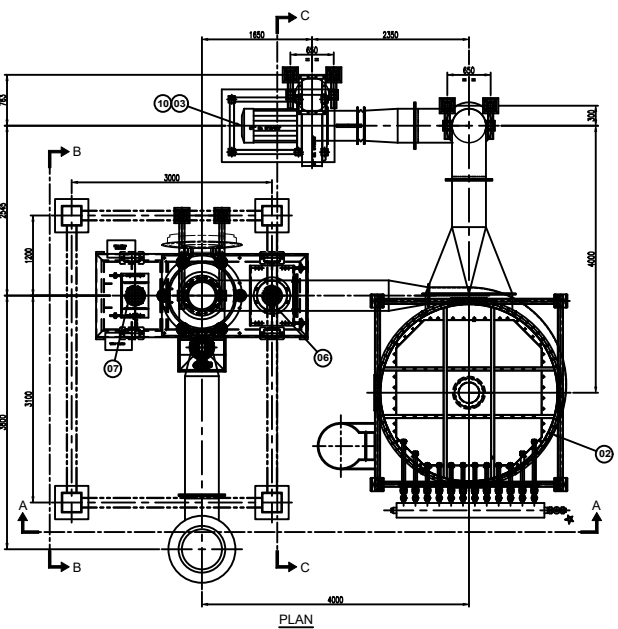


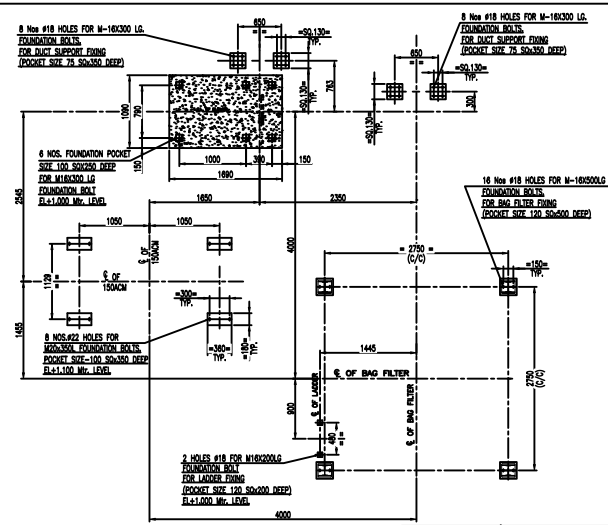
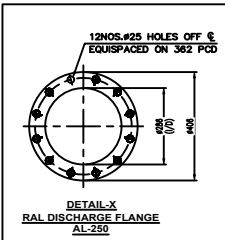
SECTION A-A

SECTION B-B

SECTION C-C



PLAN



FOUNDATION PLAN

DESIGN DATA	
MATERIAL	- CARBON BLACK RCB
FEED SIZE	- 100 MICRONS
CAPACITY	- 450 - 550 kg/hr
BULK DENSITY	- 1100-2200 kg/m ³
FINAL PRODUCT SIZE	- 90% PASSING 8 MICRON

LOAD DATA		
EQUIPMENT	LOAD kg	
	STATIC	DYNAMIC
150 ACM	4500	11250
BAG FILTER+RAL	4000	4200
FAN	1600	2100

OPTION-1

- NOTES :-
- # ALL DIMENSIONS ARE IN MM UNLESS NOTED.
 - # DO NOT SCALE THE DRAWING.
 - # IF IN DOUBT ASK
 - # ALL DUCTING TO BE SUPPORTED BY CLIENT SUITABLY AT SITE.
 - # ALL MOTORS ARE SUITABLE FOR 3ø 415V ±10% 50Hz ±5% AC SUPPLY.
 - # COMPRESSED AIR REQD. 40 Nm³/hr CLEAN, DRY & OIL FREE.
 - # COMPRESSED TO 6 TO 8 kg/cm² g TO BE ARRANGED BY CLIENT.
 - # CONTROL PANEL CAN BE KEPT ANY WHERE AS PER SPACE AVAILABLE BUT NEAR MILL.
 - # MOTOR SUPPLY - 3ø 415V ±10% 50Hz ±5%.
 - # PAINT SPEC - COAT 01 - EPOXY GREY EP8214 PRIMER W HARDENER
 - COAT 02 - PU WHITE RAL8003 GL W HARDENER EPOXY PAINT TO BE USED WITH EPOXY THINNER. PU PAINT TO USED WITH PU THINNER.
 - # GASKET - WHITE NEOPRENE RUBBER FOOD GRADE
 - # MILL BASE FRAME TO BE BOLTED

SR.No	PART No.	QTY	DESCRIPTION	MOC	SIZE	REMARK
12	1	1	CONTROL PANEL	STD	-	NOT SHOWN
11	1	1	RAL (FEED)	C/MS	AL-200	
10	1	1	MOTOR FOR FAN	STD	120 HP	
9	1	1	GEARED MOTOR FOR RAL	STD	1 HP	
8	1	1	GEARED MOTOR FOR RAL	STD	0.5 HP	
7	1	1	CLASSIFIER MOTOR	MS	20 HP	
6	1	1	MAIN MOTOR	STD	150 HP	
5	1	1	DUCTING	MS	-	
4	1	1	RAL BELOW BAG FILTER	C/MS	AL-250	
3	1	1	FAN	MS	-	
2	1	1	BAG FILTER TRL	MS	132W-12 CYL TRL	
1	1	1	MILL WITH SILENCER	C/MS	150 ACM	

CLIENT _____

CONSULTANT _____

RIECO'S S.O.No. _____

CLIENT'S P.O.No. _____

RIECO RIECO INDUSTRIES LTD. 11622 SHIVAJINAGAR, BEHIND OBSERVATORY, PUNE-411 005 (INDIA)

TITLE: **150 ACM PLANT LAYOUT**

SCALE: _____ DRAWING No: _____ REV: _____ SHEET: _____

REFERENCE DRG. No: _____ REPLACES DRG. No: _____

150 ACM PLANT LAYOUT * A

REV	ZONE	DATE	DESCRIPTION	DRAWN	CHECK